

Southern Copper and Supply 800-289-2728  
**"T" CONNECTORS FOR HOLDERS**

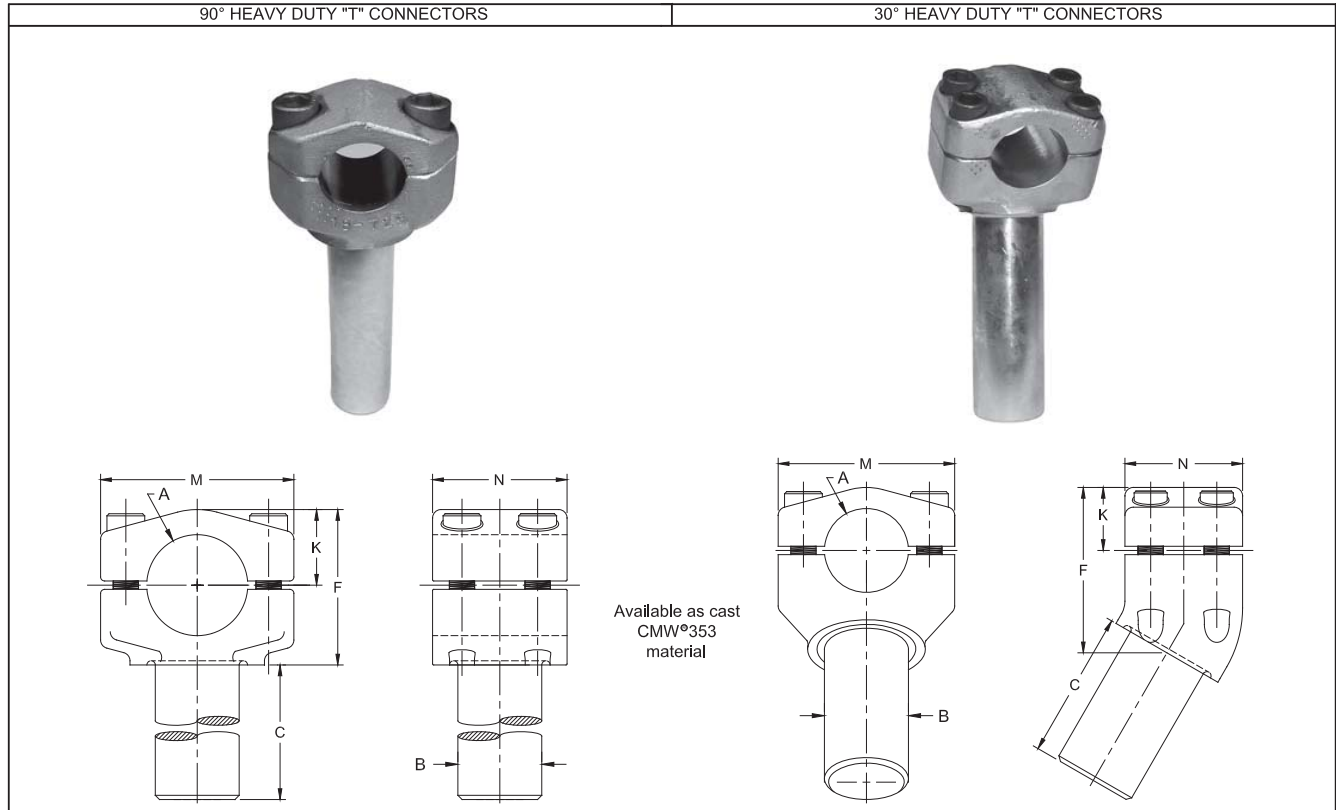


Phone: 866-634-8884

Fax: 866-239-6995

Email: cmw@cmwinc.com

**"T" CONNECTORS FOR HOLDERS**



Available as cast  
CMW®353  
material

HEAVY DUTY 90° "T" CONNECTORS								
"T" Connector Assy. No.	Hole Dia. A	Shank Dia. B*	Shank Length C	Head Height F	Hole C.L. Over Top K	Length M	Width N	Number of Bolts
18-725 18-726	1	7/8 1	3	1-3/4	3/4	2-5/16	1-1/2	2 Bolt
18-727 18-728	1-1/4 1-1/2	1-1/4	3-1/2 4	2 2-5/16	15/16 1-1/8	2-5/8 2-7/8	1-3/4 2	4 Bolt
18-729 18-730	1-1/2 1-1/4	1-1/2	4	2-5/16	1-1/8	2-7/8	2	

HEAVY DUTY 30° "T" CONNECTORS								
"T" Connector Assy. No.	Hole Dia. A	Shank Dia. B	Shank Length C	Head Height F	Hole C.L. Over Top K	Length M	Width N	Number of Bolts
18-731 18-732	1	7/8 1	3	2	3/4	2-5/16	1-1/2	2 Bolt
18-733 18-734	1-1/4 1-1/2	1-1/4 1-1/2	3-1/2 4	2-13/32 2-47/64	15/16 1-1/8	2-5/8 2-7/8	1-3/4 2	4 Bolt

These 30° "T" Connectors may be interchanged with the 90° universal type "T" Connectors. See page 38 for suggested setups.

"T" Connectors of other shank diameters and lengths may be ordered upon request.

Available as cast CMW®3 material

SMALL BARREL 90° "T" CONNECTORS							
"T" Connector Assy. No.	Hole Dia. A	Shank Dia. B	Shank Length C	Head Height F	Hole C.L. Over Top K	Dia. M	Number of Bolts
18-720 18-721	3/4	3/4	3	1-1/4	5/8	1-1/2	1 Bolt
18-722		7/8					
18-723 18-724		1 1-1/4					

"T" Connectors of other shank diameters and lengths may be ordered upon request.

