

Southern Copper and Supply 800-289-2728
STUD WELDING ELECTRODES



Phone: 866-634-8884

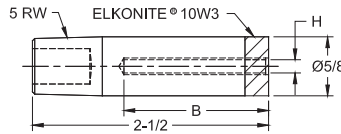
Fax: 866-239-6995

Email: cmw@cmwinc.com

STUD WELDING ELECTRODES



Assembled Electrode Part Number			Insulation I.D. H	Screw Thread Size
Depth B				
.375	.750	1.125	.116 .132	#4 #5
16-3724-1161 16-3724-1321	16-3724-1162 16-3724-1322	16-3724-1163 16-3724-1323		
.500	1.000	1.500	.140 .150 .157 .169	#6 -- -- #8
16-3724-1401 16-3724-1501 16-3724-1571 16-3724-1691	16-3724-1402 16-3724-1502 16-3724-1572 16-3724-1692	16-3724-1403 16-3724-1503 16-3724-1573 16-3724-1693		
.750	1.500	--		
16-3724-1911 16-3724-2201 16-3724-2541	16-3724-1912 16-3724-2202 16-3724-2542			

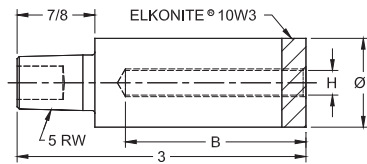


FEATURES AND SPECIFICATIONS

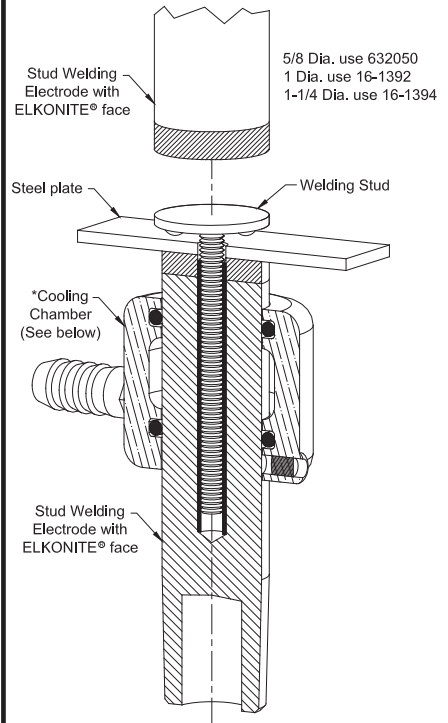
- ELKONITE® 10W3 faced CMW®3 material
- Insulated sleeve made of anodized aluminum
- Insulated sleeve are treated to 55 HRC both I.D. & O.D. for wear resistance
- Use with tapered electrode holders
- Use with flat faced electrodes
- Accepts external Cooling Chambers



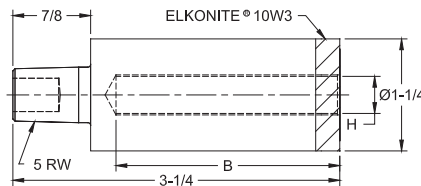
Assembled Electrode Part Number		Insulation I.D. H	Screw Thread Size
Depth B			
.750	1.500	.254	.250
16-3725-2541	16-3725-2542		
1.000	2.000	.277 .317 (8MM) .339 .365 .380	-- .312 -- -- .375
16-3725-2771 16-3725-3171 16-3725-3391 16-3725-3651 16-3725-3801	16-3725-2772 16-3725-3172 16-3725-3392 16-3725-3652 16-3725-3802		



TYPICAL SET-UP FOR STUD WELDING



Assembled Electrode Part Number		Insulation I.D. H	Screw Thread Size		
Depth B					
1.000	2.000	.401 .427 .444 .502	-- -- .437 .500		
16-3726-4011 16-3726-4271 16-3726-4441 16-3726-5021	16-3726-4012 16-3726-4272 16-3726-4442 16-3726-5022				
1.000	2.000			.552 .630 .676 .801	-- .625 -- --
16-3726-5521 16-3726-6301 16-3726-6761 16-3726-8011	16-3726-5522 16-3726-6302 16-3726-6762 16-3726-8012				



*For additional information on cooling chamber see page 27

Electrode Dia.	Cooling Chamber
5/8	18-1340
1	18-1342
1-1/4	18-1343