

Southern Copper and Supply 800-289-2728
SELF-PILOTING NUT WELDING ELECTRODES



Phone: 866-634-8884

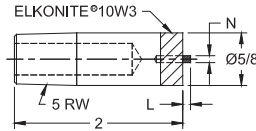
Fax: 866-239-6995

Email: cmw@cmwinc.com

SELF-PILOTING NUT WELDING ELECTRODES



PART No.	Taper Size	Pin Dia. N	For Nut Thread Size	Pin Length L
16-3764-04	5 RW	.082	#4	.093
16-3764-05		.093	#5	
16-3764-06		.100	#6	
16-3764-M3.5		.107	3.5 MM	
16-3764-M4	5 RW	.123	4.0 MM	.156
16-3764-08		.129	#8	
16-3764-10		.143	#10	
16-3764-M5		.156	5.0 MM	

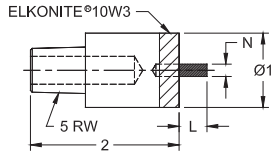


FEATURES AND SPECIFICATIONS

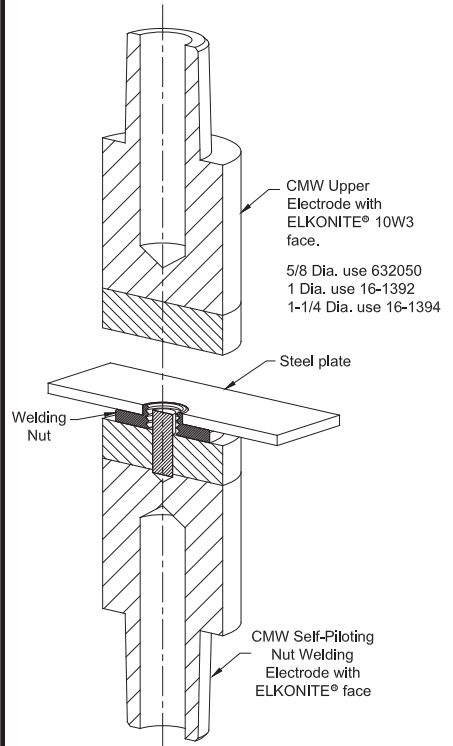
- ELKONITE®10W3 faced CMW® 3 material
- Insulated pin made of anodized aluminum
- Pins are treated to 55 HRC for wear resistance
- Use with tapered electrode holders
- Use with flat faced electrodes



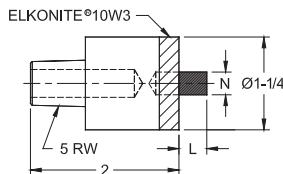
PART No.	Taper Size	Pin Dia. N	For Nut Thread Size	Pin Length L
16-3765-12	5 RW	.166	#12	.375
16-3765-M6		.189	6.0 MM	
16-3765-25		.192	1/4	
16-3765-M7		.223	7.0 MM	
16-3765-M8	5 RW	.252	8.0 MM	.375
16-3765-31		.257	5/16	
16-3765-M9		.291	9.0 MM	



TYPICAL SET-UP FOR SELF PILOTING NUTS



PART No.	Taper Size	Pin Dia. N	For Nut Thread Size	Pin Length L
16-3766-38	5 RW	.306	3/8	.375
16-3766-M10		.320	10 MM	
16-3766-M11		.359	11 MM	
16-3766-44		.361	7/16	
16-3766-M12	5 RW	.388	12 MM	.375
16-3766-50		.415	1/2	
16-3766-M14		.455	14 MM	



- See page 6 for Metric conversions

- See page 7 for Taper dimensions

Southern Copper and Supply 800-289-2728

NON-PILOTING NUT WELDING ELECTRODES



Phone: 866-634-8884

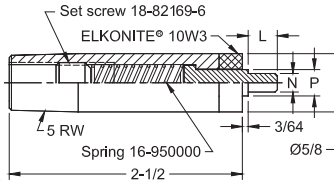
Fax: 866-239-6995

Email: cmw@cmwinc.com

NON-PILOTING NUT WELDING ELECTRODES



PART No.	Taper or Thd. Size	Pin Dia. N	Pilot Length L	Pilot Dia. P	For Nut Thd. Size N	Pin Part No.
16-3774-04		.082		.142	#4	16-950001-04
16-3774-05		.093		.158	#5	16-950001-05
16-3774-06		.100		.173	#6	16-950001-06
16-3774-08	5RW	.129	.312	.198	#8	16-950001-08
16-3774-10		.143		.220	#10	16-950001-10
16-3774-M6		.186		.250	6MM	16-950001-M6

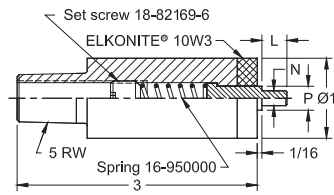


FEATURES AND SPECIFICATIONS

- ELKONITE® 10W3 faced CMW® 3 material
- Insulated pin made of anodized aluminum
- Insulated pins are treated to 55 HRC for wear resistance
- Use with tapered electrode holders
- Use with flat faced electrodes
- Accepts external cooling chambers



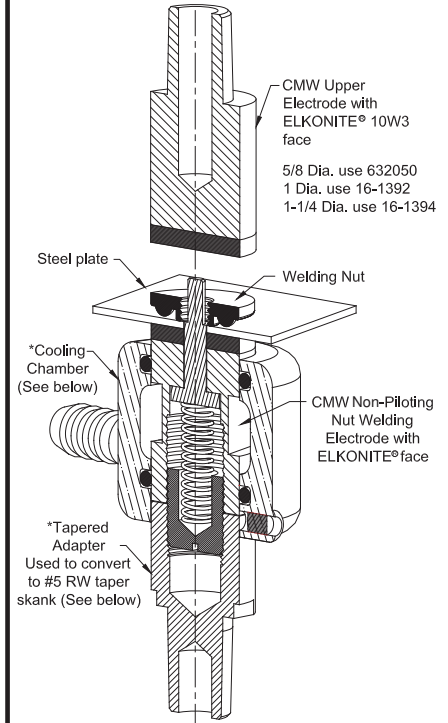
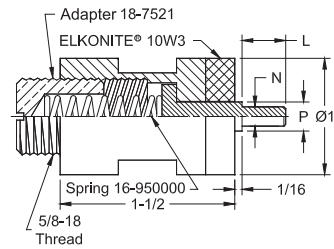
PART No.	Taper or Thd. Size	Pin Dia. N	Pilot Length L	Pilot Dia. P	For Nut Thd. Size N	Pin Part No.
16-3775-12		.166		.250	#12	16-950001-12
16-3775-M6		.186		.250	6MM	16-950001-M6
16-3775-25		.192		.283	1/4	16-950001-25
16-3775-M8	5RW	.252	.312	.283	8MM	16-950001-M8
16-3775-31		.257		.345	5/16	16-950001-31
16-3775-M10		.322		.347	10MM	16-950001-M10



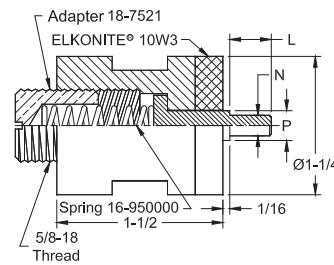
TYPICAL SET-UP FOR NON PILOTING NUTS



PART No.	Taper or Thd. Size	Pin Dia. N	Pilot Length L	Pilot Dia. P	For Nut Thd. Size N	Pin Part No.
16-3785-12	5/8-18	.166	.375	.250	#12	16-950002-12
16-3785-M6		.186		.269	6MM	16-950002-M6
16-3785-25		.192		.283	1/4	16-950002-25
16-3785-M8		.252		.348	8MM	16-950002-M8
16-3785-31	5/8-18	.257	.375	.345	5/16	16-950002-31
16-3785-M10		.320		.427	10MM	16-950002-M10
16-3785-M11		.359		.466	11MM	16-950002-M11
16-3785-M12		.388		.470	12MM	16-950002-M12



PART No.	Taper or Thd. Size	Pin Dia. N	Pilot Length L	Pilot Dia. P	For Nut Thd. Size N	Pin Part No.
16-3786-12	5/8-18	.166	.375	.250	#12	16-950002-12
16-3786-M6		.186		.269	6MM	16-950002-M6
16-3786-25		.192		.283	1/4	16-950002-25
16-3786-M8		.252		.348	8MM	16-950002-M8
16-3786-31	5/8-18	.257	.375	.345	5/16	16-950002-31
16-3786-38		.306		.408	3/8	16-950002-38
16-3786-M10		.320		.427	10MM	16-950002-M10
16-3786-M11		.359		.466	11MM	16-950002-M11
16-3786-44		.361		.470	7/16	16-950002-44
16-3786-M12	.388	.470	12MM	16-950002-M12		
16-3786-50		.415		.533	1/2	16-950002-50



*For additional information on cooling chamber and tapered adapter see page 27

Electrode assemblies 18-3785-XX and 18-3786-XX may be used with 5/8-18 threaded holders 18-169, 18-170, 18-171