

Southern Copper and Supply 800-289-2728

800 SERIES "NU-TWIST"[®] ADAPTERS



Phone: 866-634-8884

Fax: 866-239-6995

Email: cmw@cmwinc.com

800 SERIES "NU-TWIST"[®] ADAPTERS

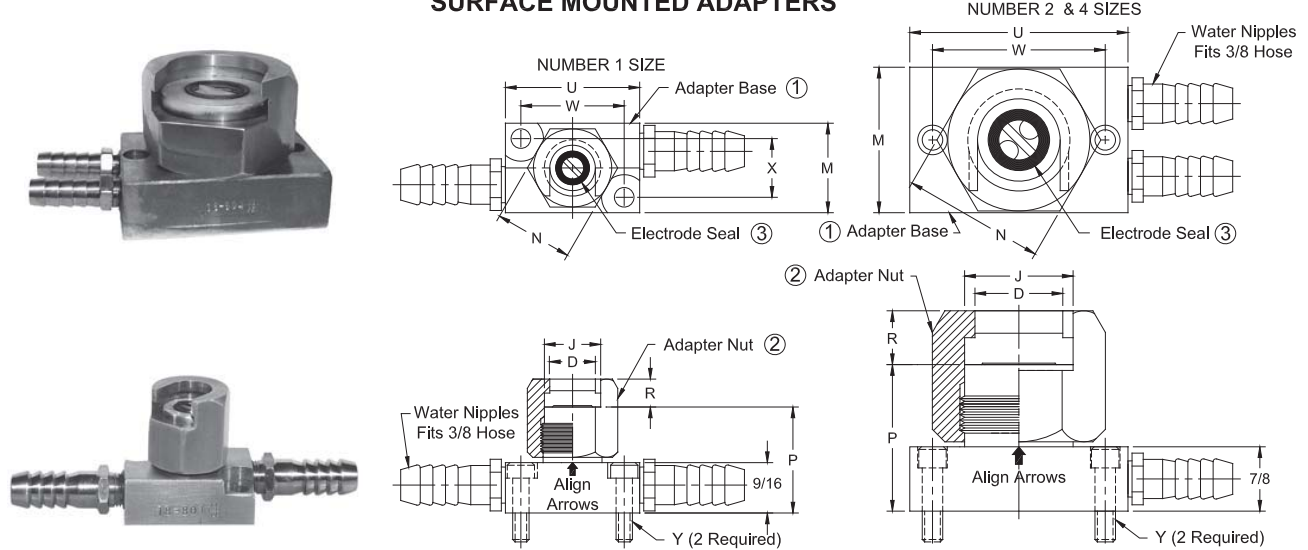
CMW "NU-TWIST"[®] FEATURES

1. Hex locking nut may be tightened or loosened effectively by hand or wrench for easy replacement of electrodes.
2. "O" ring seals provide water tight connections.
3. Double groove construction in bore or locking nut accurately aligns and locks the

electrode in position with a maximum of a turn and one half.

4. Through use of baffles in adapters and in electrodes over 1" long efficient cooling is effectively achieved.
5. All components are of corrosion-resistant alloys.
6. Maintenance costs are unusually low.
7. Adapter bases are CMW[®]3 material.

SURFACE MOUNTED ADAPTERS



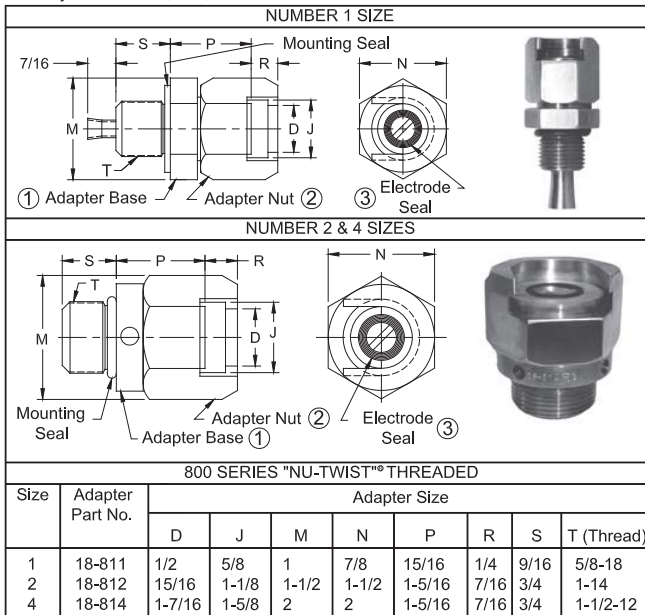
800 SERIES "NU-TWIST" [®] SURFACE MOUNTED											
Size	Adapter Part No.	Adapter Size									
		D	J	M	N	P	R	U	W	X	Y
1	18-801	1/2	5/8	1	7/8	1-1/4	1/4	1-1/2	1-5/32	21/32	No. 10-24 Scr.
2	18-802	15/16	1-1/8	1-1/2	1-1/2	1-13/16	7/16	2-1/2	2	-	No. 1/4-20 Scr.
4	18-804	1-7/16	1-5/8	2	2	1-13/16	7/16	3	2-3/8	-	No. 1/4-20 Scr.

REPLACEMENT PARTS				
Adapter Part No.	Water Nipples	Adapter Base 1	Adapter Nut 2	Electrode Seals 3
18-801		18-80110	18-80150	18-10060-5
18-802	18-10050	18-80210	18-80250	18-10060-1
18-804		18-80410	18-80450	18-10061-14

For replacement parts see page 49

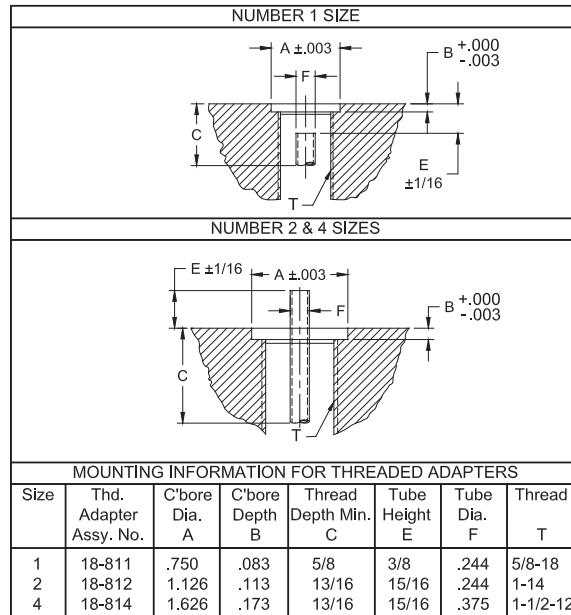
800 SERIES "NU-TWIST"[®] THREADED ADAPTERS & MOUNTING INFORMATION

May use with 100, 200, and 300 series holders to make "NU-TWIST"[®] holders



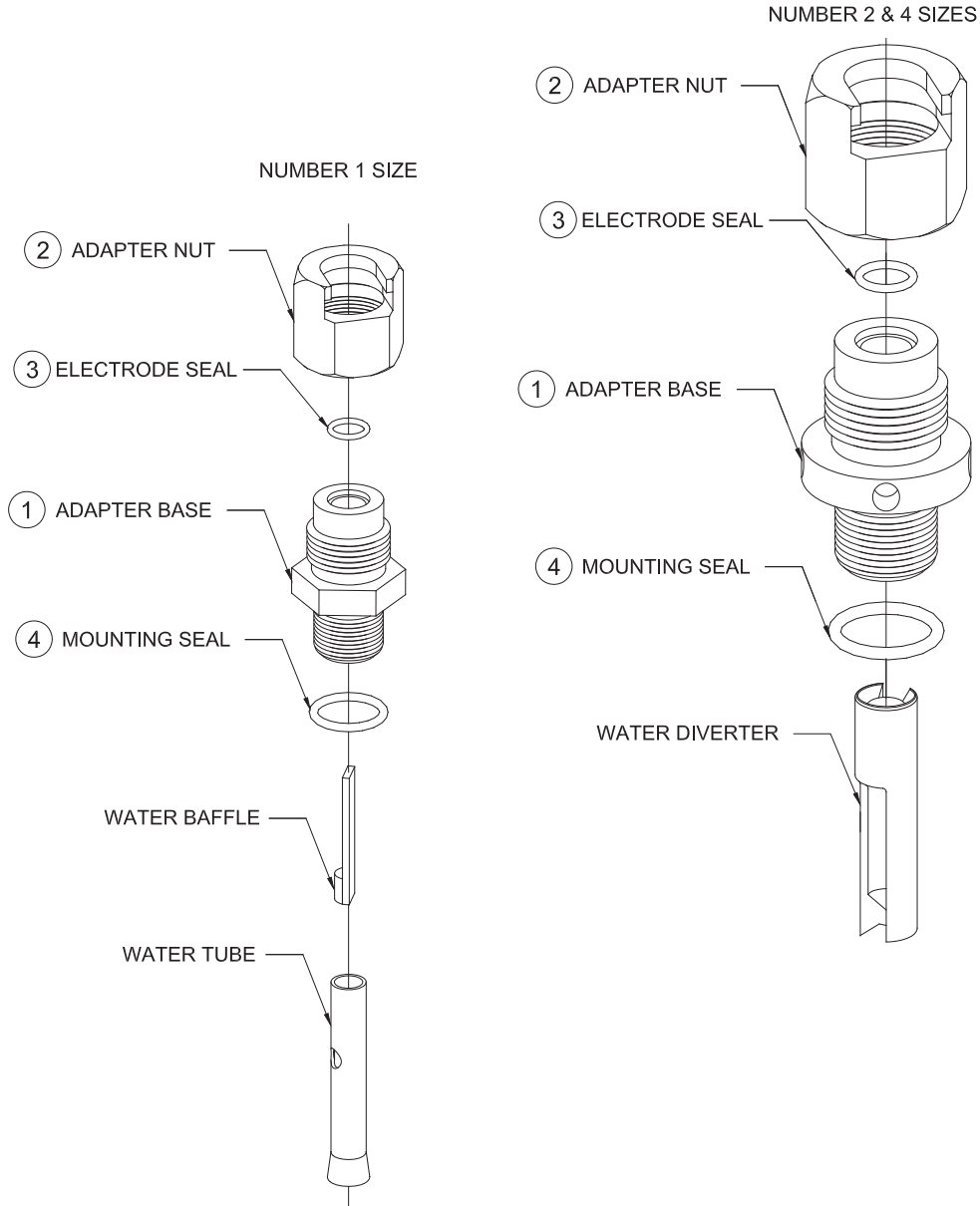
800 SERIES "NU-TWIST" [®] THREADED									
Size	Adapter Part No.	Adapter Size							
		D	J	M	N	P	R	S	T (Thread)
1	18-811	1/2	5/8	1	7/8	15/16	1/4	9/16	5/8-18
2	18-812	15/16	1-1/8	1-1/2	1-1/2	1-5/16	7/16	3/4	1-14
4	18-814	1-7/16	1-5/8	2	2	1-5/16	7/16	3/4	1-1/2-12

For replacement parts see page 49



MOUNTING INFORMATION FOR THREADED ADAPTERS							
Size	Thd. Adapter Assy. No.	C'bore Dia. A	C'bore Depth B	Thread Depth Min. C	Tube Height E	Tube Dia. F	Thread T
1	18-811	.750	.083	5/8	3/8	.244	5/8-18
2	18-812	1.126	.113	13/16	15/16	.244	1-14
4	18-814	1.626	.173	13/16	15/16	.375	1-1/2-12

800 SERIES "NU-TWIST"[®] THREADED ADAPTERS



Adapter Assembly Part No.	Adapter Base* 1	Adapter Nut 2	Electrode Seal 3	Mounting Seal 4
18-811	18-81110	18-80150	18-10061-5	18-10060-11
18-812	18-81210	18-80250	18-10061-10	18-10060-17
18-814	18-81410	18-80450	18-10061-14	18-10060-25

* Adapter base includes water tube & baffel or water diverter

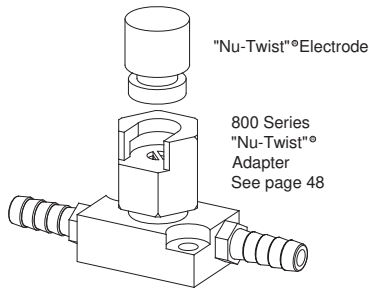


Phone: 866-634-8884

Fax: 866-239-6995

Email: cmw@cmwinc.com

"NU-TWIST"[®] ELECTRODES



"Nu-Twist"[®] Electrode
800 Series "Nu-Twist"[®] Adapter
See page 48

- No tapers or threads
- Can be extracted with a simple turn of hexagon locking nut
- Any contour in electrode face can be located or relocated in a given position
- Water circulated to end of electrode for maximum cooling
- Silver plated contact surfaces on electrode and base for maximum conductivity
- Provides a simple, low-cost electrode for most applications
- Electrodes shown can be modified with contours to provide faces required for most resistance welding applications

		FLAT FACE "NU-TWIST" [®] ELECTRODE				TYPE 0 FLAT & 0 TRUNCATED "NU-TWIST" [®] ELECTRODE						
Size	Type	Electrode Part No.		Body Dia. H	Weld Face Dia. A	Overall Length C	Adapter Clearance E	Water Hole Dia. F	Water Hole Depth G	Electrode Seat Dia. J	Elect. Ext. From Adapt. K	
		CMW [®] 3	CMW [®] 100									
1	0 Flat	338750	538750	1/2	1/2	3/4	--	1/4	3/8	.625	1/2	
		338030	538030	1/2	1/2	1-1/2	--	1/4	1-1/8	.625	1-1/4	
1	0 Trunc.	378750	578750	1/2	1/4	3/4	--	1/4	3/8	.625	1/2	
		378030	578030	1/2	1/4	1-1/2	--	1/4	1-1/8	.625	1-1/4	
1	Flat	338751	538751	5/8	5/8	3/4	5/16	1/4	3/8	.625	1/2	
		338031	538031	5/8	5/8	1-1/2	5/16	1/4	1-1/8	.625	1-1/4	
2	Flat	338012	538012	1-1/4	1-1/4	1	5/8	1/2	1/2	1.125	1/2	
		338052	538052	1-1/4	1-1/4	2	5/8	1/2	1-1/2	1.125	1-1/2	
4	Flat	338014	538014	1-3/4	1-3/4	1	5/8	3/4	1/2	1.625	1/2	
		338054	538054	1-3/4	1-3/4	2	5/8	3/4	1-1/2	1.625	1-1/2	

Special face contours, lengths and diameters available on special order

THREADED SOCKET (OR BUTTON) ELECTRODES

(USE WITH 900 AND 950 SERIES HOLDERS ON PAGE 51)

ALL DIMENSIONS WITH AN (*) ARE COMMON TO EACH CAP IN A HORIZONTAL LINE.

FLAT FACE	TRUNCATED FACE	RADIUS FACE	OFFSET FACE	30° OFFSET FACE
<p>CMW[®]28 18-970 CMW[®]3 18-980 CMW[®]100 18-990</p>	<p>CMW[®]28 18-971 CMW[®]3 18-981 CMW[®]100 18-991</p>	<p>CMW[®]28 18-972 CMW[®]3 18-982 CMW[®]100 18-992</p>	<p>CMW[®]28 18-973 CMW[®]3 18-983 CMW[®]100 18-993</p>	<p>CMW[®]28 18-974 CMW[®]3 18-984 CMW[®]100 18-994</p>

MALE THREADED BUTTON ELECTRODES

CMW shall supply a variety of nose configurations (examples shown below) made to your specifications. These electrodes are available in CMW[®]100, CMW[®]28 and CMW[®]3 materials to meet your various applications. Threads in both Unified (inch) or metric sizes can be supplied.

