



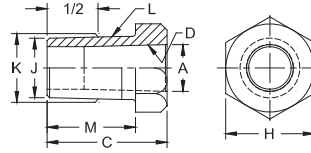
Phone: 866-634-8884

Fax: 866-239-6995

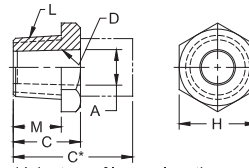
Email: cmw@cmwinc.com

ADAPTERS

MALE TAPER TO FEMALE TAPER ADAPTERS								
Adapter Part No.	Male Taper			Female Taper		Length Under Head M	Hex. Over Flats H	Overall Length C
	Size L	Minor Dia. J	Dia. at 1/2 K	Size D	Major Dia. A			
18-741	5 RW	.588	.613	4 RW	.463	7/8	7/8	1-3/16
18-742	7 RW	.819	.844	5 RW	.625	1-3/16	1	1-1/2
18-7414	6 RW	.706	.731	5 RW	.625	7/8	1	1-3/16
18-7415	4 RW	.438	.463	5 RW	.625	5/8	7/8	1-3/4
18-7416	5 RW	.588	.613	6 RW	.750	7/8	1	2-1/4

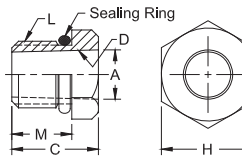


MALE PIPE THREAD TO FEMALE TAPER ADAPTERS							
Adapter Part No.	Male Thd. Size L	Female Taper		Length Under Head M	Hex. Over Flats H	Overall Length C	
		Size D	Major Dia. A				
18-746-07	1/2-14 pipe	4 RW	.463	5/8	1	7/8	
18-747-07	1/2-14 pipe	5 RW	.625	5/8	1	7/8	
18-7465-07	1/2-14 pipe	5 RW Male Cap	.414	9/16	7/8	7/8	
18-748-06	5/8-14 pipe	4 RW	.463	9/16	1	3/4	
18-749-06	5/8-14 pipe	5 RW	.625	9/16	1	3/4	
18-756-09	3/4-14 pipe	4 RW	.463	7/8	1-1/4	1-1/8	
18-757-09	3/4-14 pipe	5 RW	.625	7/8	1-1/4	1-1/8	
18-7576-09	3/4-14 pipe	6 RW	.750	7/8	1-1/4	1-1/8	



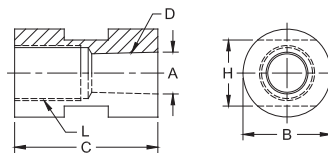
*Adapters of longer lengths available in 1/8" increments upon request

MALE THREAD TO FEMALE TAPER ADAPTERS							
Adapter Part No.	Male Thd. Size L	Female Taper		Length Under Head M	Hex or Dia. Over. Flats H	Overall Length C	Sealing Ring Part No.
		Size D	Major Dia. A				
18-750	5/8-18	4 RW	.463	9/16	7/8 Hex	13/16	18-10060-11
18-751	5/8-18	5 RW	.625	9/16	1 Hex	1-11/16	18-10060-11
18-755*	3/4-10	5 RW	.625	9/16	1 Dia.	1-9/16	18-10060-12
18-770	7/8-14	4 RW	.463	5/8	1 Hex	13/16	18-76460
18-771	7/8-14	5 RW	.625	5/8	1 Hex	13/16	18-76460
18-7743	1-14	5/8-18 Thd.	-	5/8	1-1/4 Hex	1	18-10060-17
18-785	1-14	4 RW	.463	9/16	1-1/4 Hex	13/16	18-10060-17
18-786	1-14	5 RW	.625	9/16	1-1/4 Hex	13/16	18-10060-17
18-7863	1-14	6 RW	.750	3/4	1-1/4 Hex	1-3/4	18-10060-17
18-787	1-14	7 RW	.875	3/4	1-1/4 Hex	2-1/8	18-10060-17
18-7875	1-14	5 RW	.625	9/16	1-1/4 Dia.	11/16	18-10060-17
18-7876	1-14	6 RW	.750	5/8	1-1/4 Dia.	7/8	18-10060-17



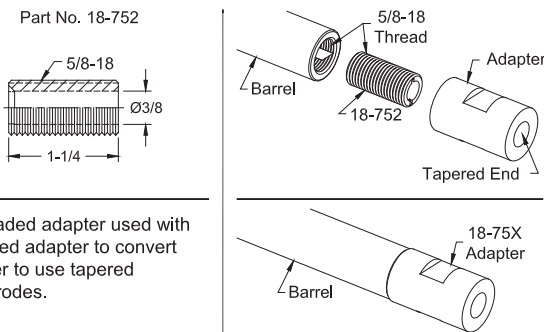
*This part has 3/4" wrench flats

FEMALE THREAD TO FEMALE TAPER ADAPTERS						
Adapter Part No.	Female Thd. Size L	Female Taper		Outside Dia. B	Over Wrench Flats H	Overall Length C
		Size D	Major Dia. A			
18-753	5/8-18	4 RW	.475	1	3/4	1-5/8
18-754	5/8-18	5 RW	.625	1	3/4	1-5/8
18-7591	3/4-10	4 RW	.463	1-1/4 Hex.	1-1/4	1-3/4
18-7592	3/4-10	5 RW	.625	1-1/4 Hex.	1-1/4	1-3/4



See page 6 for Metric Conversions
See page 7 for Taper Dimensions
See page 34 for ejector type adapters

CONVERSION FROM 5/8-18 THREAD INTO 4, 5, 6, RW TAPER



Threaded adapter used with tapered adapter to convert holder to use tapered electrodes.

CONVERSION FROM THREADED ADAPTER INTO 4, 5, 6, RW TAPER

